

# ADG-3600D

## AQUIOUS DISINFECTANT GENERATOR FOR DIRECT DENTAL UNITS



*This version of the ADG is configured for periodic shocking of plumbing-attached dental units. The ADG-3600B converts tap water into a safe, endless stream of powerful disinfectant perfect for easy, frequent & free shocking of dental unit plumbing. Auxiliary port can be plumbed to the sterilization center for surface disinfection bottles, ultrasonic cleaner fill and hand washing, reducing costly chemical disinfectants.*

### Features:

- Easily shock your plumbing-attached dental unit waterlines:
  - Set bypass valve handles to shock mode
  - Open far-end faucet(s) (1 included)
  - Remove tools from waterlines, secure open end into sink, activate foot control
  - Adjust faucet to optimize flow through dental unit waterlines.
  - After 10 minutes, return faucet, bypass & tools to original positions.
- Automatically powers on when faucet turns on.
- Auxiliary port for
  - surface disinfection spray bottle
  - ultrasonic cleaner fill
- Includes:
  - ½" faucet
  - demand delivery pump
  - stainless steel hoses

### Benefits:

- 2.5 gallons / minute flow.
- Eradicates biofilm from dental unit waterlines.
- Compact, easy to install, simple to use.

### Advantages:

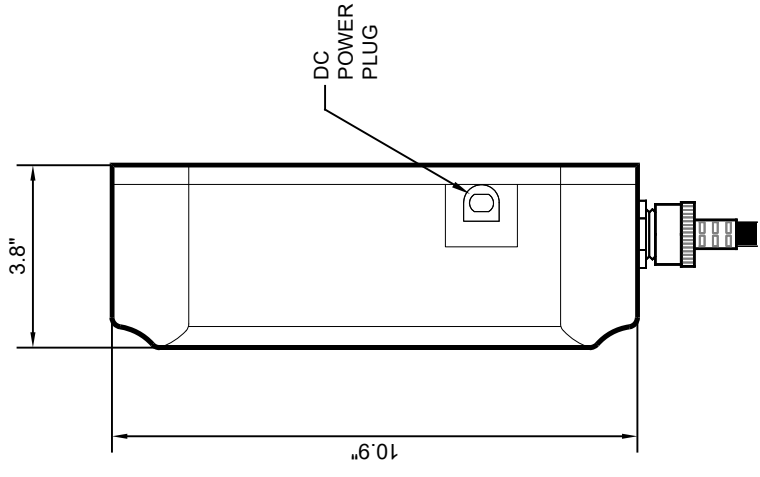
- Reduces or eliminates
  - purchase of waterline tablets & straws.
  - pesticides in patient's oral cavity.
  - chemicals being released to drain/environment.
  - staff not complying with waterline disinfection procedures.
  - dental unit waterline clogging from tablet residue.
- 1 year warranty
- Practice **pesticide-free** dentistry

### Specifications

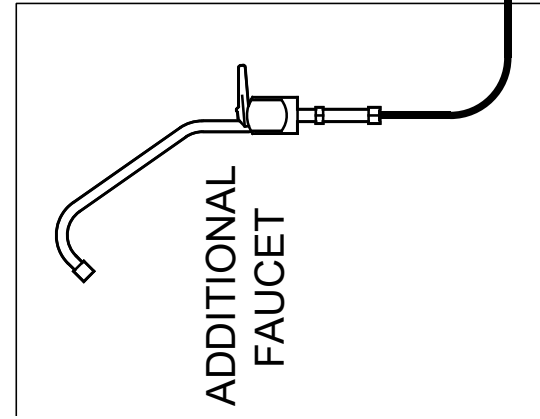
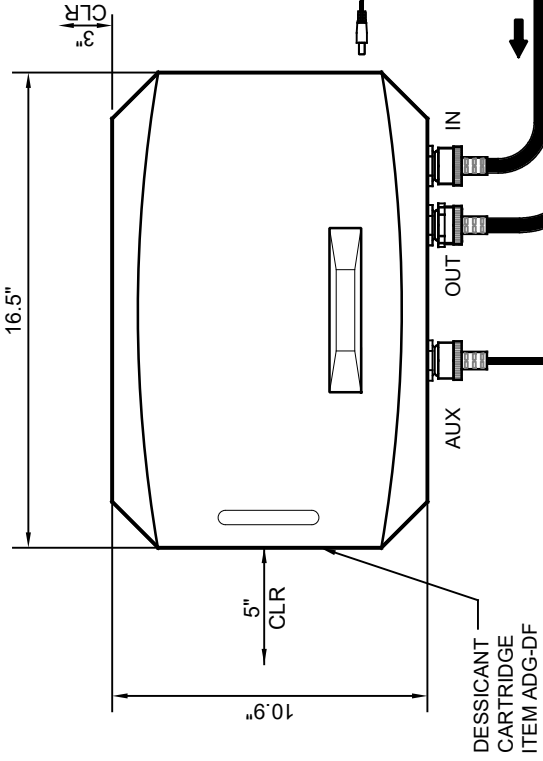
Tap water type	potable
Tap water temperature	40°F - 80°F
Tap water pressure	40 – 75 PSI
System pipe size	¾" male garden hose
Flow output	Up to 2.5 GPM
Height	12.5 in / 32 cm
Width	17 in / 42 cm
Depth	3.75 in / 10 cm
Weight	5.5 lbs / 2.49 kg
Electrical transformer	110V / AC / 60Hz / 1.5A or 240V / AC / 50Hz / 1.5A
Internal electrical	12V / DC / 3000mA



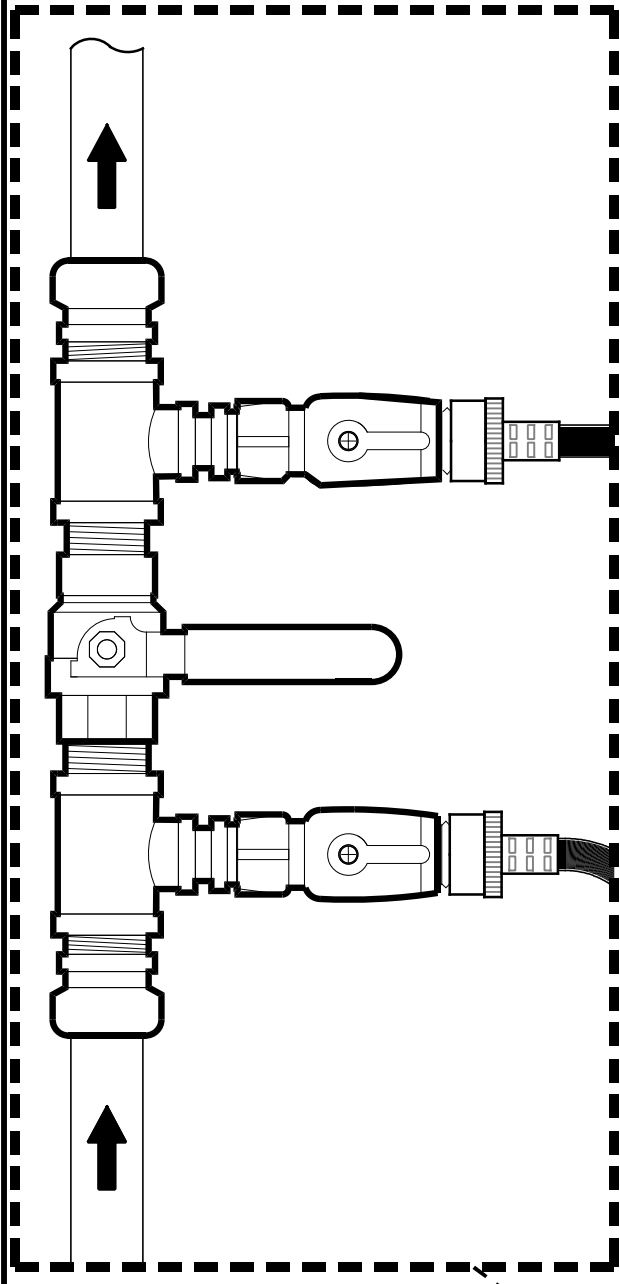
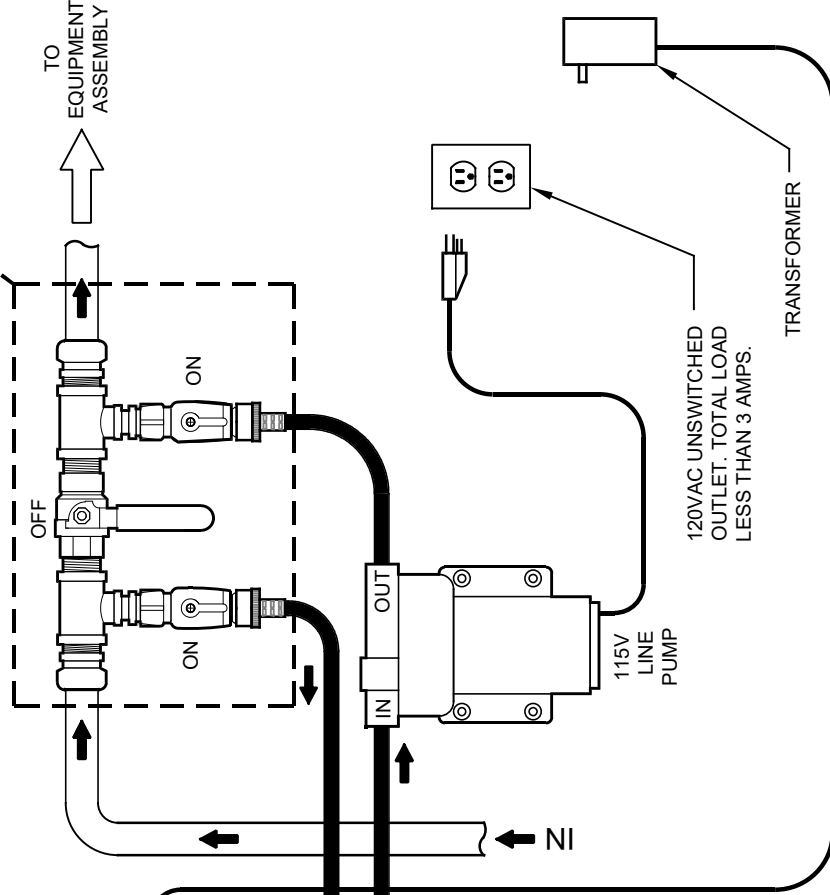
**ADG 3600  
SIDE VIEW**



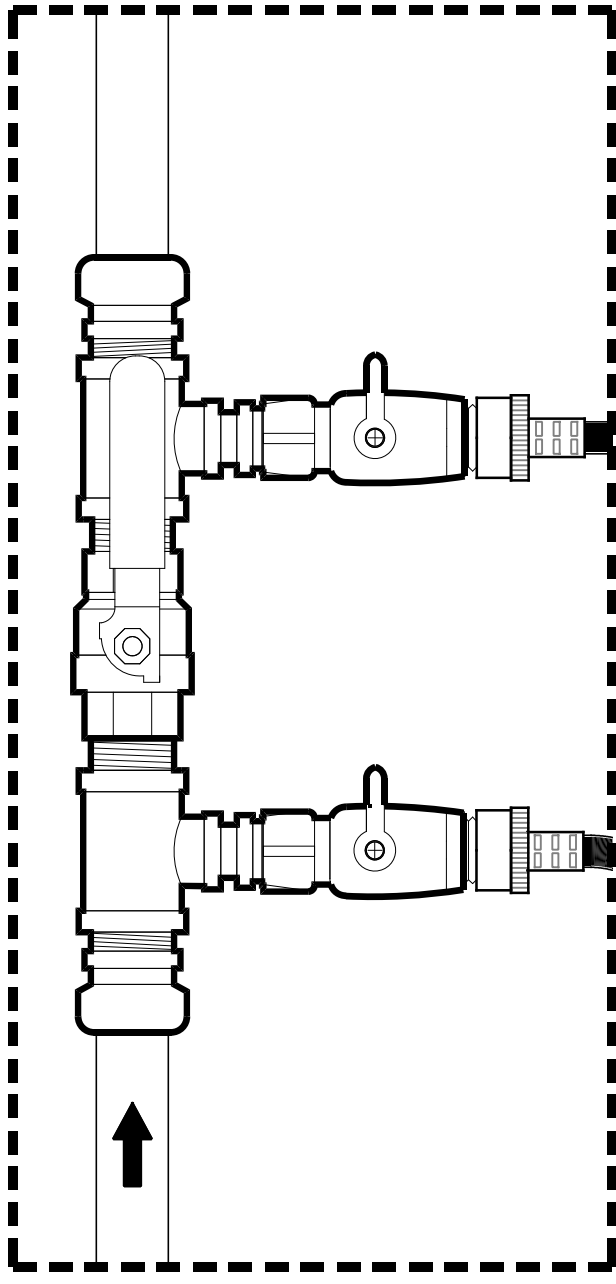
**ADG 3600**



**INCLUDED**



**IN-SERVICE MODE**



**OFF MODE**



TITLE

**AQUIOUS DISINFECTION  
GENERATOR - ADG 3600-D**

DATE

05/17/20

SIZE

**B**

SHEET

**1 OF 1**

SCALE

**DO NOT SCALE**

REV

**-**

PART NO.